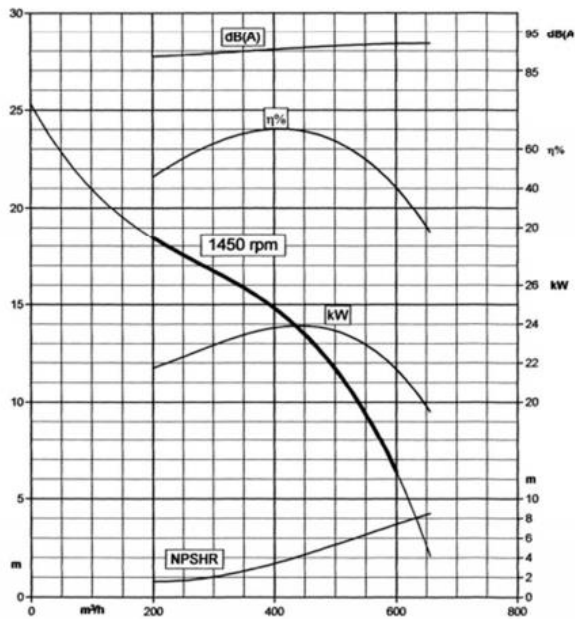


VARISCO J250

Pump Performance



Specifications

Model	J250
Rated power, kW	30.0
Voltage, V/phase	380, 3~
Rated current, A	58
Shaft speed, rpm	1450
Weight, kg	1340
Discharge DN, mm	250 (10")



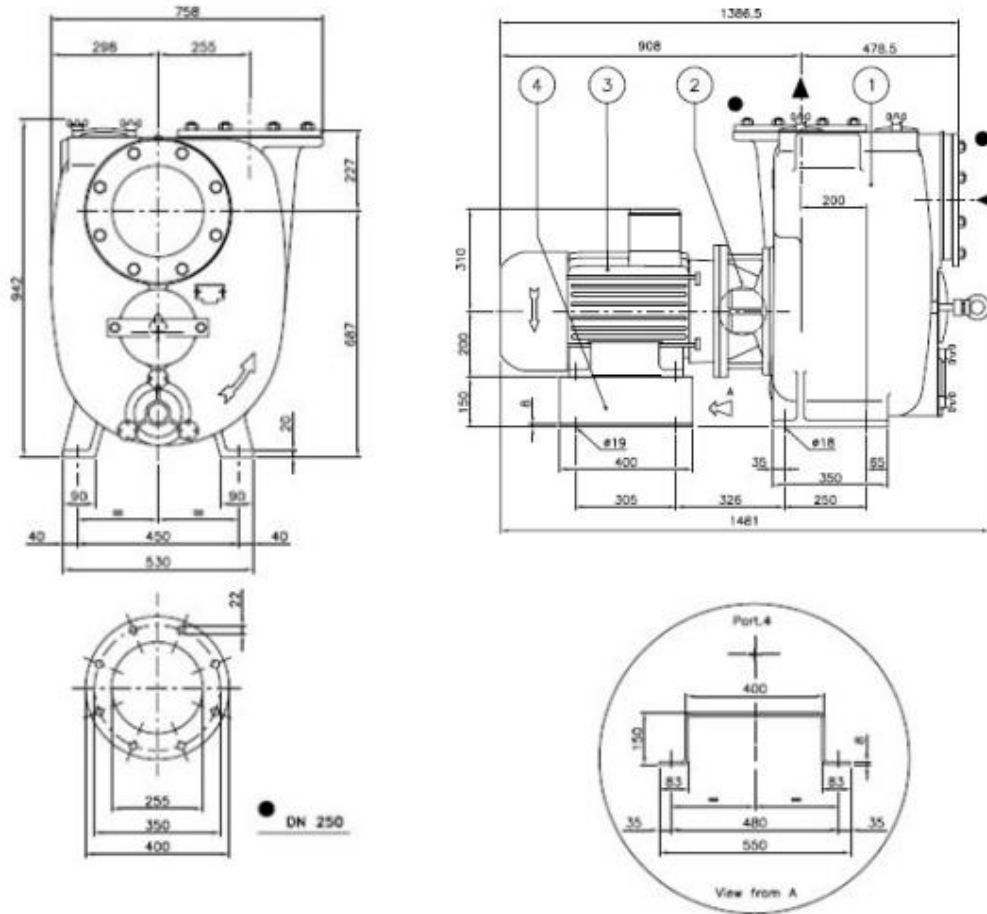
AmoraSub

www.amorasub.pt

Parque Industrial S. Marta
de Corroios
Rua Manuel Ribeiro, Lote 13
2845-409 Amora - Portugal

T +351 919 708 279
E geral@amorasub.pt

Dimensions



Descript: 1 – Pump; 2 – Seal; 3 – A.C. Motor; 4 – Motor Base.



AmoraSub

www.amorasub.pt

Parque Industrial S. Marta
de Corroios
Rua Manuel Ribeiro, Lote 13
2845-409 Amora - Portugal

T +351 919 708 279
E geral@amorasub.pt