

TOYO SUBMERSIBLE AGITATOR SAND PUMP

FEATURE

- Standard models of Toyo Submersible Agitator Sand pump provides high durability and resistance for abrasion.
- Two Sealing method; oil seal/rareflon seal and mechanical seal are available.
- Suitable for dredger/dredging system. DPF provides best performance for dredging, wide range of specification fits to many kind of application.



SPECIFICATION

MODEL	BORE (mm)	STANDARD		SOLID SIZE (mm)	OUTPUT (kW)	VOLTAGE (V)	POLE (P)	WEIGHT (kg)	CABTYRE CABLE 10m (symbol x mm ² x core)
		HEAD (m)	CAPACITY (m ³ /min)						
DPF-15	100	15	1.5	35	11	200	6	490	3PNCT×14 ^f ×4C
DPF-15H *	100	17	1.5	35	11	200	6	490	3PNCT×14 ^f ×4C
DPF15B	150	8	3.2	60	11	200	6	530	3PNCT×14 ^f ×4C
DPF-20	100	20	1.5	35	15	200	6	550	3PNCT×14 ^f ×4C
DPF-20H-1	100	25	1.5	30	15	200	6	550	3PNCT×14 ^f ×4C
DPF20B	150	10	3.2	60	15	200	6	540	3PNCT×14 ^f ×4C
DPF-30	100	30	1.5	35	22	200	6	750	3PNCT×38 ^f ×3C-3.5 ^f ×1C
DPF-30B	150	15	3.2	60	22	200	6	730	3PNCT×38 ^f ×3C-3.5 ^f ×1C
DPF-30BH *	150	20	3.2	60	22	200	6	730	3PNCT×38 ^f ×3C-3.5 ^f ×1C
DPF-40 *	100	33	1.5	35	30	200	6	750	3PNCT×38 ^f ×3C-3.5 ^f ×1C
DPF-40B	200	15	6.0	40	30	200	6	750	3PNCT×38 ^f ×3C-3.5 ^f ×1C
DPF-50	150	25	3.2	60	37	200	6	950	3PNCT×50 ^f ×3C-8 ^f ×1C
DPF-50H *	150	28	3.2	40	37	200	6	1050	3PNCT×50 ^f ×3C-8 ^f ×1C
DPF-50H *	150	28	3.2	40	37	200	6	950	3PNCT×50 ^f ×3C-8 ^f ×1C
DPF-50B	200	15	6.0	60	37	200	6	970	3PNCT×50 ^f ×3C-8 ^f ×1C
DPF-50BL	250	5	12	120	37	200	6	1150	3PNCT×50 ^f ×3C-8 ^f ×1C
DPF-60B *	200	22	6.0	60	45	200	6	1000	3PNCT×50 ^f ×3C-8 ^f ×1C
DPF-75B *	200	22	6.0	40	55	400	6	1120	3PNCT×38 ^f ×3C-3.5 ^f ×1C
DPF-75B *	200	28	6.0	60	55	400	6	1020	3PNCT×38 ^f ×3C-3.5 ^f ×1C
DPF-75BH *	200	40	3.2	40	55	400	6	1120	3PNCT×38 ^f ×3C-3.5 ^f ×1C

- Specifications are changeable without notice. Please ask for Specification Sheet for the details.
- Standard voltage of DPF-75B/DPF-75BH are 400V.
- * only 50Hz available.
- * only 60Hz available.



AmoraSub

www.amorasub.pt

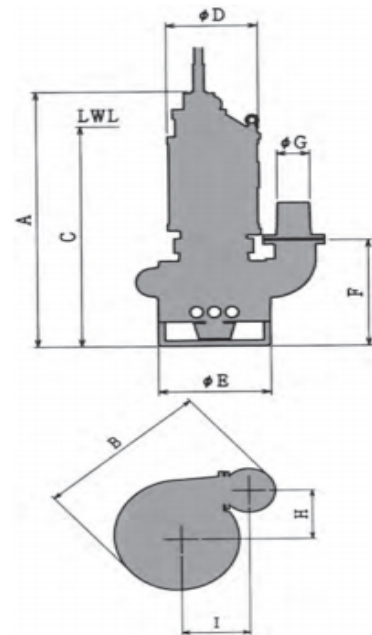
Parque Industrial S. Marta
de Corroios
Rua Manuel Ribeiro, Lote 13
2845-409 Amora - Portugal

T +351 919 708 279
E geral@amorasub.pt

SIZE

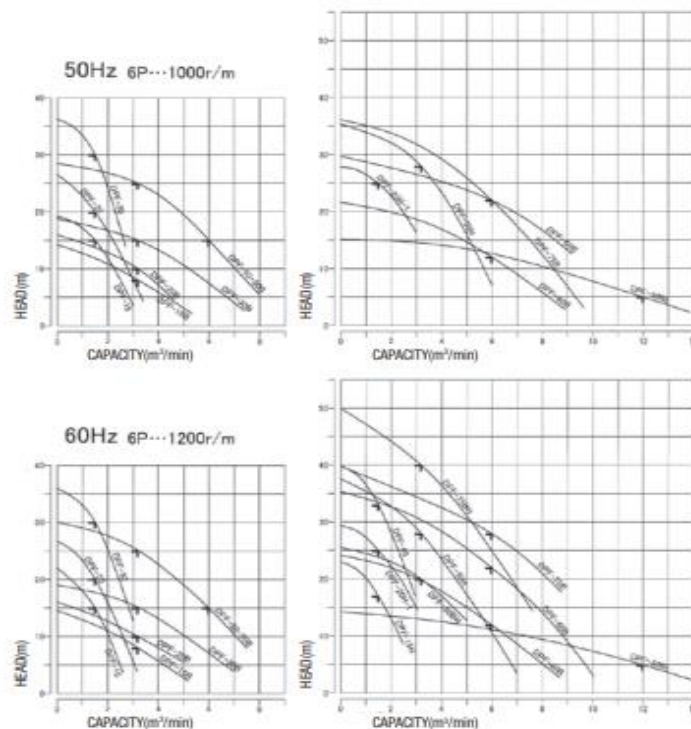
Unit : mm

MODEL	A (HEIGHT)	B (WIDTH)	C (LWL)	D	E	F	G	H	I
DPF-15	1275	750	1100	380	445	500	100	240	298
DPF-15H *	1275	750	1100	380	445	500	100	240	298
DPF15B	1275	841	1100	380	445	560	150	255	333
DPF-20	1310	825	1100	380	515	495	100	280	313
DPF-20H-1	1310	825	1100	380	535	495	100	280	313
DPF20B	1310	841	1100	380	445	560	150	255	333
DPF-30	1390	910	1200	415	635	515	100	320	333
DPF-30B	1390	955	1200	415	510	580	150	310	363
DPF-30BH *	1390	955	1200	415	510	580	150	310	363
DPF-40 *	1390	910	1200	415	635	515	100	320	333
DPF-40B	1390	1010	1200	415	510	600	200	310	393
DPF-50	1575	1020	1350	460	560	635	150	340	383
DPF-50H *	1580	1094	1350	460	660	650	150	350	443
DPF-50H *	1575	1020	1350	460	560	635	150	340	383
DPF-50B	1575	1065	1350	460	560	655	200	340	413
DPF-50BL	1650	1350	1450	460	560	762.5	250	360	613
DPF-60B *	1615	1065	1400	460	560	655	200	340	413
DPF-75B *	1670	1145	1450	460	660	670	200	350	473
DPF-75B *	1665	1065	1450	460	560	655	200	340	413
DPF-75BH *	1670	1145	1450	460	660	670	200	350	473



- Specifications are changeable without notice. Please ask for Specification Sheet for the details.
- * only 50Hz available.
- * only 60Hz available.

PERFORMANCE CURVES



AmoraSub

www.amorasub.pt

Parque Industrial S. Marta
de Corroios
Rua Manuel Ribeiro, Lote 13
2845-409 Amora - Portugal

T +351 919 708 279
E geral@amorasub.pt